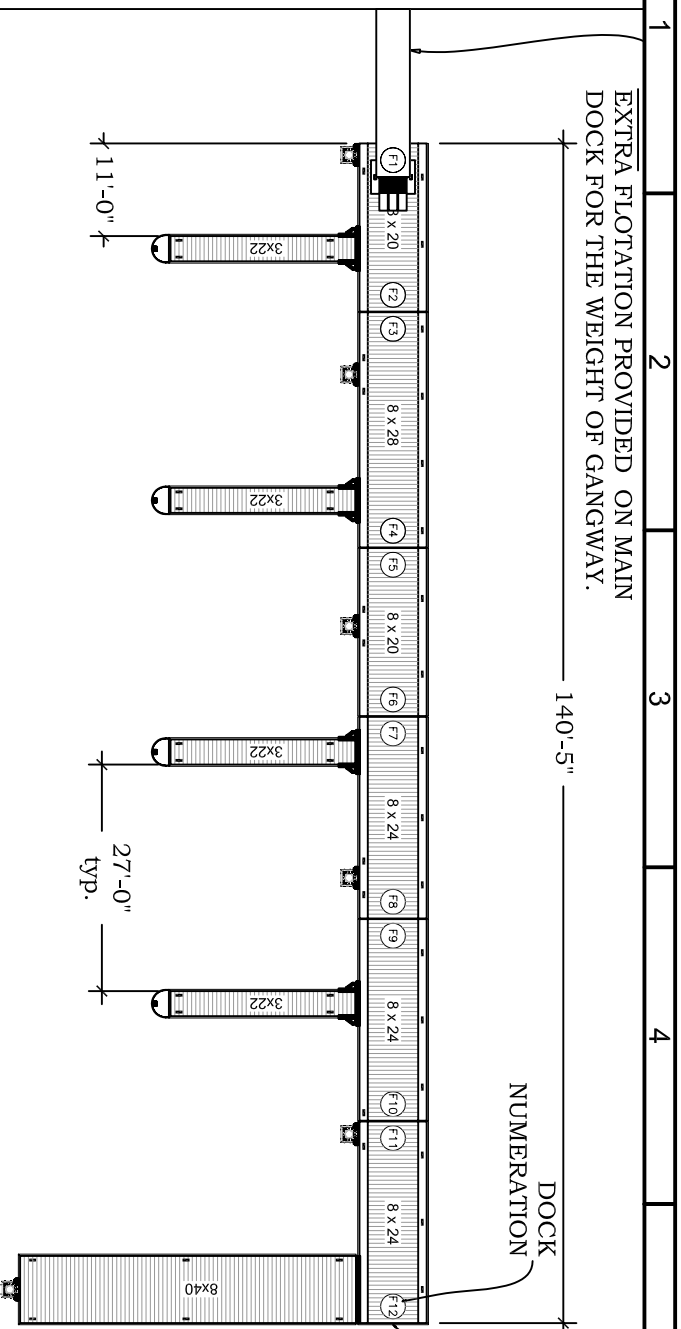


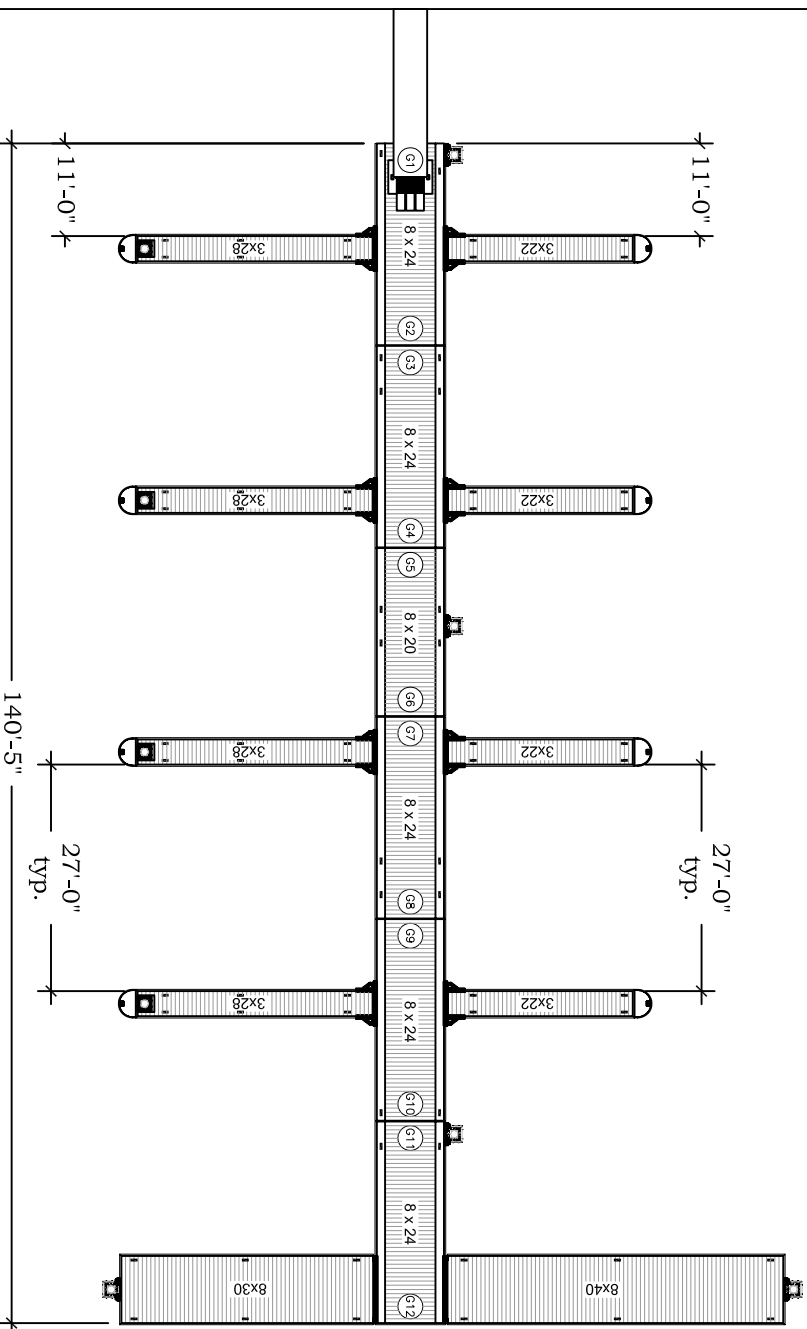
EXTRA FLOTATION PROVIDED ON MAIN DOCK FOR THE WEIGHT OF GANGWAY.



F DOCK

CLOSED ENDS

-MAIN DOCK WITH DUAL ALUMINUM SERVICE BAY COVER, 10" ALUMINUM CLEATS, AND 12" PILING CAGE WITH ROLLER.
 -FINGER DOCK WITH AL-824 WIDE GRIP, 10" ALUMINUM CLEATS, 12" PILING CAGE WITH ROLLER (for 30' Fingers & T-docks), PVC SIDE AND CORNER BUMPER.



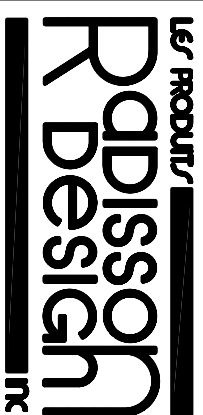
G DOCK

Summary:

- Model **C-300** (Main & Finger docks)
- Floats: 16" polyethylene foam filled float drum. Height to match freeboard & live load. *Spec.'s according to quote.*
- Structure: **Aluminum, Spec.'s according to quote.**
- Side fender: **2" x 4" round plastic. Spec.'s according to quote.**
- Main Dock Decking: **5/4" x 6" grey plastic. Spec.'s according to quote.**
- Finger Dock Decking: **5/4" x 6" grey plastic. Spec.'s according to quote.**
- Gangway Decking: **1" x 6" grey plastic. Spec.'s according to quote.**
- Deck screws: **S/S#12x3**
- Hinges: **Neoprene** (Main & finger docks)

GENERAL LAYOUT

-All measures will be $\pm 6"$ tolerance in respect to layout. To suit structural design criteria this tolerance may be greater. Client will be advised for critical issues.
 -Slip width are measured from pier structural frame to pier structural frame. Subtract $5\frac{1}{4}"$ to boat slip distance with PVC fender and 3" with 2"x4" side wall.
 Scale: 1:350 (for 8 $\frac{1}{2}$ x14)



4701, Route 117
 Quebec, Canada J8C 2Z8
 Ste-Agathe-des-Monts
 Tel.: (819) 326-7041
 Fax: (819) 326-6029
 Sans frais / Toll free 1-800-361-3625
 E-Mail: radisson@radissondesign.com
 E-Mail: eng@radissondesign.com
 www.radissondesign.com

NO.	DATE	BY
2	Feb. 20, 2006	S. H.
1	Jan. 31, 2006	S. H.

Project :
Chesapeake Anchorage

Client :
 Chesapeake Anchorage
 Chesapeake City, Maryland
 Attn.: Dale Riggs

Tel. : (856) 478-9600
 Fax :
 E-Mail :

Model :
C-300
 Sales Agent :
 D. Howard

Drawn by :
 C. Poirier ext. 227

Checked by :
 Signed: _____
 Approved by :
 Signed: _____
 Client approval :

File no. :
 05 10 07
 Date :
 Nov. 23, 05
 Sheet no. :
L-02